

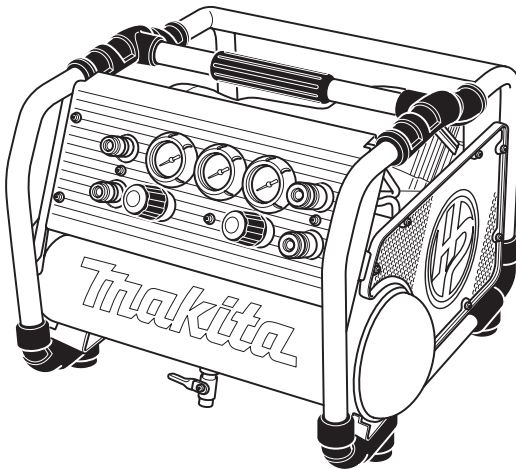


**Air Compressor**  
Instruction Manual

**Compresseur d'air**  
Manuel d'instructions

**Compresor de aire**  
Manual de instrucciones

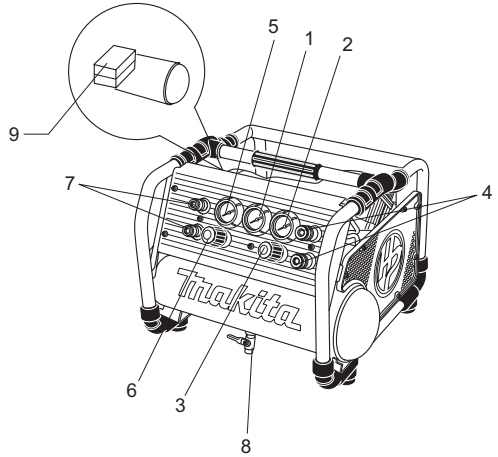
**AC310H**



## ENGLISH

### Explanation of general view

1. Air Tank pressure gauge
2. Regulated pressure gauge "HP"
3. Air regulator "HP"
4. Quick couplers "HP" (Air outlet)
5. Regulated Pressure gauge "RP"
6. Air regulator "RP"
7. Quick coupler "RP" (Air outlet)
8. Drain valve
9. Pressure Switch



### SPECIFICATIONS

Model	AC310H
MAX Output Power	1500 W
SCFM @ 40 PSIG	3.7
SCFM @ 90 PSIG	3.6
SCFM @ 300 PSIG	2.7
Cut-In Pressure	330 PSIG (2.3 MPa)
Cut-Out Pressure	400 PSIG (2.8 MPa)
Bore x Stroke x Qty	62 mm x 31 mm x 1, 145 mm x 10 mm x 1
Voltage -Single Phase	120 V AC
Hz	60 Hz
Motor RPM	1700 min <sup>-1</sup>
Lubrication	Oil-Less
Tank Size	1.6 gal (6.2 L)
Weight	36 kg (79.4 lb)
Dimensions (L x H x W)	18-3/4" x 14-3/4" x 20" (476 x 375 x 507 mm)
Outlet Max Pressure "HP" (Exclusively for High Pressure Pneumatic Use)	375 PSIG (2.6 MPa)
Outlet Max Pressure "RP" (Exclusively for Regular Pressure Pneumatic Use)	130 PSIG (0.9 MPa)
CSA/US Listed	Yes

- Due to our continuing programme of research and development, the specifications herein are subject to change without notice.
- Note: Specifications may differ from country to country.

Minimum Circuit Requirement: 15 AMPS

\* A circuit breaker is preferred. Use only a fuse or circuit breaker that is the same rating as the branch circuit the air compressor is operated on. If the air compressor is connected to a circuit protected by fuses, use time delay fuses.

### IMPORTANT

Read the Safety Guidelines and ALL instructions carefully before operating.

[www.makitatools.com](http://www.makitatools.com)

[www.makita.ca](http://www.makita.ca)

# IMPORTANT SAFETY INSTRUCTIONS

## SAVE THESE INSTRUCTIONS.

**⚠ WARNING**  
**IMPROPER OPERATION OR MAINTENANCE OF THIS PRODUCT COULD RESULT IN SERIOUS INJURY AND PROPERTY DAMAGE.**  
**READ AND UNDERSTAND ALL WARNINGS AND OPERATING INSTRUCTIONS BEFORE USING THIS EQUIPMENT.**

**⚠ WARNING**  
**Risk of Unsafe Operation**

**WHAT CAN HAPPEN**  
Unsafe operation of your air compressor could lead to serious injury to you or others.

- HOW TO PREVENT IT**
- Review and understand all instructions and warnings in this manual.
  - Become familiar with the operation and controls of the air compressor.
  - Keep operating area clear of all persons, pets, and obstacles.
  - Keep children away from the air compressor at all times.
  - Do not operate the product when fatigued or under the influence of alcohol or drugs. Stay alert at all times.
  - Never defeat the safety features of this product.
  - Equip area of operation with a fire extinguisher.
  - Do not operate machine with missing, broken, or unauthorized parts.

**⚠ WARNING**  
**Risk of Air Tank Bursting**

**WHAT CAN HAPPEN**  
The following conditions could lead to a weakening of the tank, and **RESULT IN A VIOLENT TANK EXPLOSION RESULTING IN SERIOUS INJURY TO YOU OR OTHERS:**

- Failure to properly drain condensed water from the tank, causing rust and thinning of the tank wall.
- Modifications or attempted repairs to the tank.
- Unauthorized modifications to the pressure switch, safety valve, or any other components, which control tank pressure.

- HOW TO PREVENT IT**
- Drain air tank daily or after each use. If air tank develops a leak, replace it immediately with a new tank or replace the entire compressor.
  - Do not drill into, weld or otherwise modify air tank or it will weaken. The tank can rupture or explode. Replace with a new air tank.
  - Follow the equipment manufacturers recommendation and never exceed the maximum allowable pressure rating of attachments. Never use the compressor to inflate small low-pressure objects such as children's toys, footballs, basketballs, etc.

**⚠ WARNING**  
**Risk of Attachments and Accessories Bursting**

**WHAT CAN HAPPEN**  
Exceeding the pressure rating of air tools, spray guns, air operated accessories, tires AND other inflatables can cause them to explode or fly apart, and could result in serious injury to you and others.

**⚠ WARNING**  
**Risk of Electric Shock**

- WHAT CAN HAPPEN**
- Your air compressor is powered by electricity. Like any other electrically powered device, if it is not used properly, it may cause electrical shock.
  - Electrical grounding: failure to provide adequate grounding to this product could increase the risk of electric shock.

- HOW TO PREVENT IT**
- Any electrical wiring or repairs required to this product should be performed by qualified service personnel or a licensed electrician, in accordance with national and local electrical codes.
  - Make certain that the electrical circuit to which the compressor is connected provides proper electrical grounding, correct voltage, and adequate fuse protection.
  - Never operate the compressor outdoors when it is raining, or in a wet environment.
  - Never operate the compressor with guards or covers which are damaged or removed.

**⚠ WARNING**  
**Risk of Explosion or Fire**

**WHAT CAN HAPPEN**  
It is normal for electrical contacts within the motor and pressure switch to spark, whenever the compressor starts or stops. Never operate the compressor in an atmosphere where flammable vapors are present. Doing so can result in serious injury to you or others.

- HOW TO PREVENT IT**
- Always operate the compressor in a well-ventilated area, free of gasoline or solvent vapors.
  - If spraying flammable materials, locate compressor at least 20 feet away from spray area.
  - Store flammable materials in a secure location away from compressor.

**⚠ WARNING**  
**Risk to Breathing**

- WHAT CAN HAPPEN**
- The compressed air from your compressor is not safe for breathing.



- The air stream may contain carbon monoxide or other vapors, or particles from the tank or other components.
- Sprayed materials such as paint, paint solvents, paint remover, insecticides, weed killers, etc., contain harmful vapors and poisons.
  - Breathing compressor or sprayed materials vapor can result in serious injury.

### HOW TO PREVENT IT

- Never inhale air from the compressor, either directly or from a breathing device connected to the compressor. Work in an area equipped with good cross ventilation.
- Read and follow the safety instructions provided on the label or safety data sheet for the material you are spraying.  
Use an approved respirator designed for use with your specific application.

### WARNING

#### Risk from Compressed Air



#### WHAT CAN HAPPEN

The compressed air stream can cause soft tissue damage, and can propel dirt, chips, loose particles and small objects at high speed, resulting in property damage or personal injury.

#### HOW TO PREVENT IT

- Always wear approved safety glasses with side shields when using or maintaining the compressor.
- Never point any nozzle or sprayer toward any part of the body or at other people or animals.
- Always turn the compressor off and bleed pressure from the air line before attempting maintenance, attaching tools or accessories.

### WARNING

#### Risk from Moving Parts



#### WHAT CAN HAPPEN

The compressor cycles automatically when the pressure switch is in the on/auto position. If you attempt repair or maintenance while the compressor is operating or plugged in, you can expose yourself to moving parts. These moving parts can cause serious injury.

#### HOW TO PREVENT IT

- Always unplug the compressor and release air pressure from the tank and any attachments before attempting any maintenance or repair.
- Never operate the compressor with guards or covers which are damaged or removed.
- Keep your hair, clothing, and gloves away from moving parts. Loose clothes, jewelry, or long hair can be caught in moving parts.
- Air vents may cover moving parts and should be avoided as well.

### WARNING

#### Risk of Burn



#### WHAT CAN HAPPEN

Contact with hot parts such as the compressor head or outlet tubes could result in a serious skin burn.

### HOW TO PREVENT IT

- Never touch hot components during or immediately after operation of the compressor. Do not reach around protective shrouds or attempt maintenance until unit has been allowed to cool.

## GLOSSARY

CFM: Cubic feet per minute.

SCFM: Standard cubic feet per minute; a unit of measure of air delivery.

PSIG: Pounds per square inch gauge; a unit of measure of pressure.

CUT-IN PRESSURE: While the motor is off, air tank pressure drops as you continue to use your accessory or air tool. When the tank pressure drops to a certain level the motor will restart automatically re-started is called "cut-in pressure".

CUT-OUT PRESSURE: When you turn on your air compressor, it begins to run, air pressure in the air tank begins to build. It builds to a certain pressure before the motor automatically shuts off - protecting your air tank from pressure higher than its design rating. The pressure at which the motor shuts off is called "cut-out pressure".

## DUTY CYCLE

All Makita manufactured air compressors are recommended to be operated on not more than a 50% duty cycle. This means an air compressor that pumps air more than 50% in one hour is considered misuse because the air compressor is undersized for the required air demand.

## GENERAL INFORMATION

This air compressor is equipped with an Oil-Less pump designed for durability and no maintenance.

The compressor can be used for properly rated pneumatic nailers and staplers. An air pressure regulator is supplied for these applications.

### WARNING

Never use compressor for applications other than to operate a properly rated nailer or stapler. Use of the compressor for other applications could result in property damage and personal injury.

Separate air transformers which combine the functions of air regulation and/or moisture and dirt removal should be used where applicable.

## ON-RECEIPT INSPECTION

DAMAGE: Each air compressor outfit is carefully tested and checked before shipment. With improper handling, damage may result in transit and cause problems with compressor operation.

Immediately upon arrival, check equipment for both concealed and visible damages to avoid expenses being incurred to correct such problems. This should be done regardless of any visible signs of damage to the shipping container. If this product was shipped directly to you, report any damages to the carrier and arrange for inspection of goods immediately.

## STORAGE

Before you store the air compressor, make sure you do the following:

1. Review the "Maintenance" and "Operating Procedures" sections and perform maintenance as necessary. Be sure to drain water from the air tank.
2. Protect the electrical cord and air hose from damage (such as being stepped on or run over).

Store the air compressor in a clean and dry location.

## DESCRIPTION OF OPERATION

**DRAIN VALVE:** The drain valve is located at the bottom of the air tank and is used to drain condensation at the end of each use.

## THERMAL CIRCUIT BREAKER:

The electric motor has a manual reset thermal circuit breaker. If the motor overheats for any reason, the circuit breaker will shut off the motor. Turn pressure switch to the "off" position and wait for unit to cool before pushing the reset button and restarting the compressor.

## MOTOR THERMAL OVERLOAD PROTECTOR:

When the current rating of the motor is exceeded the thermo-protector will open and shut off the motor automatically.

The motor must be allowed to cool down before restarting. The compressor will automatically restart after the motor cools down.

## ON/AUTO - OFF SWITCH:

Turn this switch to "on" to provide automatic power to the pressure switch and to "off" to remove power when finished using the compressor or when compressor will be left unattended.

## AIR INTAKE FILTER:

This filter is designed to clean air coming into the compressor pump. This filter must always be clean and free from obstructions. See "Maintenance".

## AIR COMPRESSOR PUMP:

To compress air, the piston moves up and down in the cylinder. On the down stroke, air is drawn in through the air intake valve. The exhaust valve remains closed. On the upstroke of the piston, air is compressed. The intake valve closes and compressed air is forced out through the exhaust valve, through the outlet tube, through the check valve and into the air tank. Useable air is not available until the compressor has raised the air tank pressure above that required at the air outlet.

## CHECK VALVE:

When the air compressor is operating, the check valve is "open", allowing compressed air to enter the air tank. When the air compressor reaches "cut-out" pressure, the check valve "closes", allowing air pressure to remain inside the air tank.

## PRESSURE SWITCH UNLOADING VALVE:

The pressure switch unloading valve located on the side of the pressure switch, is designed to automatically

release compressed air from the compressor head and the outlet tube when the air compressor reaches "cut-out" pressure.

## PRESSURE SWITCH:

The pressure switch automatically starts the motor when the air tank pressure drops to the factory set "cut-in" pressure. It stops the motor when the air tank pressure reaches the factory set "cut-out" pressure.

## SAFETY VALVE:

If the pressure switch does not shut off the air compressor at its "cut-out" pressure setting, the safety valve will protect against high pressure by "popping out" at its factory set pressure which is slightly higher than the pressure switch "cut-out" setting.

## OUTLET PRESSURE GAUGE:

The outlet pressure gauge indicates the air pressure available at the outlet side of the regulator. This pressure is controlled by the regulator and is always less or equal to the tank pressure. See "Operating Procedures".

## TANK PRESSURE GAUGE:

The tank pressure gauge indicates the air pressure in the tank.

## REGULATOR:

The air pressure coming from the air tank is controlled by the regulator knob. Turn the knob clockwise to increase pressure and counter-clockwise to decrease pressure. To avoid minor re-adjustment after making a change in pressure setting, always approach the desired pressure from a lower pressure. When reducing from a higher to a lower setting, first reduce to some pressure less than desired pressure. Depending on the air requirements of each particular accessory, the outlet regulated air pressure may have to be adjusted while you are operating the accessory.

COMPRESSED AIR OUTLET; "HP" marking  
For High Pressure Pneumatic Tool Exclusive Use  
Outlet Max Pressure; 375 PSIG (2.6 MPa)

COMPRESSED AIR OUTLET; "RP" marking  
For Regular Pressure Pneumatic Tool Use  
Outlet Max Pressure; 130 PSIG (0.9 MPa)

## INSTALLATION AND BREAK-IN PROCEDURES

### LOCATION OF THE AIR COMPRESSOR

Locate the air compressor in a clean, dry and well-ventilated area. The air filter must be kept clear of obstructions, which could reduce air delivery of the air compressor. The air compressor should be located at least 12 inches away from the wall or other obstructions that will interfere with the flow of air. The air compressor head and shroud are designed to allow for proper cooling. If humidity is high, an air filter can be installed on the air outlet adapter to remove excessive moisture. Follow the instructions packaged with the air filter for proper installation.

Place the air compressor on a flat surface so that resting securely on the rubber feet.

## LUBRICATION

This air compressor is equipped with an Oil-Less pump designed for durability and no maintenance.

Please see the chart below for the MINIMUM extension cord gauge requirements:

Amp Rating Range (120 V)	Total Length of Cord in Meter					
	10 m 25 ft.	15 m 50 ft.	20 m 75 ft.	30 m 100 ft.	50 m 150 ft.	60 m 200 ft.
0 - 5 A	16	16	16	14	12	12
5 - 8 A	16	16	14	12	10	Not Recommended
8 - 12 A	14	14	12	10		
12 - 15 A	12	12	10	10		
15 - 20 A	10	10	10			

## Piping

Plastic or PVC pipe is not designed for use with compressed air. Regardless of its indicated pressure rating, plastic pipe can burst from air pressure. Use only metal pipe for air distribution lines. If a pipe line is necessary, use pipe that is the same size, or larger than, the air tank outlet. Piping that is too small will restrict the flow of air. If piping is over 100 feet long, use the next larger size. Bury underground lines below the frost line and avoid pockets where condensation can gather and freeze. Apply pressure before underground lines are covered to make sure all pipe joints are free of leaks.

## Grounding Instruction

**WARNING:** Risk of electric shock! In the event of a short circuit, grounding reduces the risk of shock by providing an escape wire for the electric current. This air compressor must be properly grounded.

The air compressor is equipped with a cord having a grounding wire with an appropriate grounding plug. The plug must be used with an outlet that has been installed and grounded in accordance with all local codes and ordinances. The outlet must have the same configuration as the plug. **DO NOT USE AN ADAPTER.**

Inspect the plug and cord before each use. Do not use if there are signs of damage.

### **DANGER:**

Improper grounding can result in electrical shock. Do not modify the plug that has been provided. If it does not fit the available outlet, the correct outlet should be installed by a qualified electrician.

## Extension Cords

To avoid voltage drop, power loss, and overheating of the motor, use extra air hose instead of an extension cord. Low voltage can cause damage to the motor.

If an extension cord must be used:

- Use only an approved 3-wire extension cord that has a 3-blade grounding plug and a 3-slot receptacle that will accept the plug on the air compressor.
- Make sure the extension cord is in good condition.

## OPERATING PROCEDURES

### Daily Start-up Checklist

### INSTALLING HOSES

#### **⚠ WARNING**

**Risk of unsafe operation. Firmly grasp hose in hand when installing or disconnecting to prevent hose whip. Losing control of the hose may result in personal injury and property damage.**

1. Before attaching air hose or accessories, make sure the pressure switch lever is set to "OFF" and the air regulator or shut-off valve is closed.
2. Attach hose and accessories. Too much air pressure causes a hazardous risk of bursting. Check the manufacturer's maximum pressure rating for air tools and accessories. The regulator outlet pressure must never exceed the maximum pressure rating.
3. Turn the pressure switch lever to "ON/AUTO" and allow tank pressure to build. Motor will stop when tank pressure reaches "cut-out" pressure.
4. Open the regulator by turning it clockwise. Adjust the regulator to the correct pressure setting. Your compressor is ready for use.
5. Always operate the air compressor in well-ventilated areas; free of gasoline or other solvent vapors. Do not operate the compressor near the spray area.

**When you are finished:**

### DISCONNECTING HOSES

#### **⚠ WARNING**

**Risk of unsafe operation. Firmly grasp hose in hand when installing or disconnecting to prevent hose whip. Losing control of the hose may result in personal injury and property damage.**

6. Set the pressure switch lever to "OFF".
7. Using the air tool or accessory, bleed the tank pressure down to zero.
8. Remove the air tool or accessory.

9. Drain water from air tank by opening drain cock valve on bottom of tank. WATER WILL CONDENSE IN THE AIR TANK. IF NOT DRAINED, WATER WILL CORRODE AND WEAKEN THE AIR TANK CAUSING A RISK OF AIR TANK RUPTURE.

**Note:**

If drain valve is plugged, release all air pressure. The valve can then be removed, cleaned, then reinstalled.  
10. After the water has been drained, close the drain valve. The air compressor can now be stored.

**⚠ WARNING**

**Drain Air Tank Properly. Improper draining of the air tank can result in corrosion and possible bursting of the tank. Tank bursting could lead to personal injury and property damage.**

## MAINTENANCE

**⚠ WARNING:**

**Never use the air compressor which is operating abnormally.**

**If the air compressor appears to be operating unusually, making strange noises or vibration, stop using it immediately and arrange for repairs by a Makita authorized service center.**

**⚠ WARNING:**

**Use only genuine Makita replacement parts. Replacement parts not manufactured by Makita may void your warranty and can lead to malfunction and result in injuries. Genuine Makita parts are available from an authorized dealer.**

**⚠ WARNING:**

**UNIT CYCLES AUTOMATICALLY WHEN POWER IS ON. WHEN DOING MAINTENANCE, YOU MAY BE EXPOSED TO VOLTAGE SOURCES, COMPRESSED AIR OR MOVING PARTS. PERSONAL INJURIES CAN OCCUR. BEFORE PERFORMING ANY MAINTENANCE OR REPAIR, UNPLUG THE COMPRESSOR AND BLEED OFF ALL AIR PRESSURE.**

To ensure efficient operation and longer life of the air compressor unit, a routine maintenance schedule should be prepared and followed. The following routine maintenance schedule is geared to a unit in a normal working environment operating on a daily basis. If necessary, the schedule should be modified to suit the conditions under which your compressor is used. The modifications will depend upon the hours of operation and the working environment. Compressor units in an extremely dirty and/or hostile environment will require a greater frequency of all maintenance checks.

### ROUTINE MAINTENANCE SCHEDULE

1. Drain water from the air tank, any moisture separators or transformers.
2. Check for any unusual noise and/or vibration.
3. Manually check all safety valves to make sure they are operating properly.

**⚠ WARNING: Risk of bursting.**

**Check Safety Valve. If safety valve does not operate properly over pressurization of the air tank may result in rupture or explosion causing personal injury and property damage.**

4. Inspect air filter, replace if necessary.
5. Inspect air lines and fittings for leaks; correct as necessary.  
Each year of operation or if a problem is suspected:
  - Check condition of air compressor pump intake and exhaust valves.
  - Check condition of check valve. Replace if damaged or worn out.
6. Keep all screws, bolts, and covers tightly mounted. Check their conditions periodically.

**⚠ WARNING**

**Keep All Screws, Bolts and Covers Properly Tightened. If screws plates or covers become loose personal injury or property damage may occur.**

## MAKITA LIMITED ONE YEAR WARRANTY

EN0006-1

### Warranty Policy

Every Makita tool is thoroughly inspected and tested before leaving the factory. It is warranted to be free of defects from workmanship and materials for the period of ONE YEAR from the date of original purchase.

Should any trouble develop during this one year period, return the COMPLETE tool, freight prepaid, to one of Makita's Factory or Authorized Service Centers. If inspection shows the trouble is caused by defective workmanship or material, Makita will repair (or at our option, replace) without charge.

This Warranty does not apply where:

- repairs have been made or attempted by others;
- repairs are required because of normal wear and tear;
- the tool has been abused, misused or improperly maintained;
- alterations have been made to the tool.

**IN NO EVENT SHALL MAKITA BE LIABLE FOR ANY INDIRECT, INCIDENTAL OR CONSEQUENTIAL DAMAGES FROM THE SALE OR USE OF THE PRODUCT. THIS DISCLAIMER APPLIES BOTH DURING AND AFTER THE TERM OF THIS WARRANTY. MAKITA DISCLAIMS LIABILITY FOR ANY IMPLIED WARRANTIES, INCLUDING IMPLIED WARRANTIES OF "MERCHANTABILITY" AND "FITNESS FOR A SPECIFIC PURPOSE," AFTER THE ONE YEAR TERM OF THIS WARRANTY.**

This Warranty gives you specific legal rights, and you may also have other rights which vary from state to state.

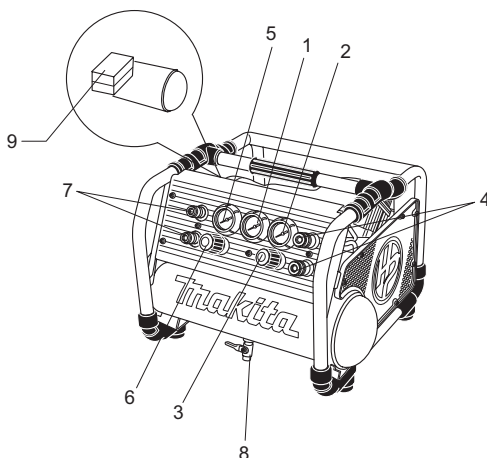
Some states do not allow the exclusion or limitation of incidental or consequential damages, so the above limitation or exclusion may not apply to you.

Some states do not allow limitation on how long an implied warranty lasts, so the above limitation may not apply to you.

## FRANÇAIS

### Explication de la vue d'ensemble

1. Manomètre du réservoir d'air
2. Manomètre réglé « H.P. »
3. Régulateur d'air « H.P. »
4. Raccords rapides « H.P. »  
(sortie d'air)
5. Manomètre réglé « P.R. »
6. Régulateur d'air « P.R. »
7. Raccord rapide « P.R. »  
(sortie d'air)
8. Robinet de vidange
9. Manocontacteur



### CARACTÉRISTIQUES TECHNIQUES

Modèle	AC310H
Puissance de sortie MAX	1500 W
Pi3/min std @ 40 PSIG	3,7
Pi3/min std @ 90 PSIG	3,6
Pi3/min std @ 300 PSIG	2,7
Pression d'enclenchement	330 PSIG (2,3 MPa)
Pression de déclenchement	400 PSIG (2,8 MPa)
Alésage x Course x Qté	62 mm x 31 mm x 1, 145 mm x 10 mm x 1
Tension - monophasée	120 V CA
Hz	60 Hz
Régime du moteur	1700 min <sup>-1</sup>
Lubrification	Sans huile
Dimension du réservoir	1,6 gal (6,2 L)
Poids	36 kg (79,4 lb)
Dimensions (L x H x P)	18-3/4 po x 14-3/4 po x 20 po (476 x 375 x 507 mm)
Pression maximale de la sortie « H.P. » (Exclusivement pour une utilisation pneumatique à haute pression)	375 PSIG (2,6 MPa)
Pression maximale de la sortie « P.R. » (Exclusivement pour une utilisation pneumatique à pression régulière)	130 PSIG (0,9 MPa)
Répertorié par CSA/US	Oui

- Étant donné l'évolution constante de notre programme de recherche et de développement, les caractéristiques techniques contenues dans ce manuel sont modifiables sans préavis.
- Remarque : les caractéristiques techniques peuvent varier suivant les pays.

Exigence minimale pour le circuit : 15 AMPS

\* La présence d'un disjoncteur est souhaitable. Utiliser uniquement un fusible ou un disjoncteur du même calibre que celui du circuit terminal sur lequel le compresseur fonctionne. Si le compresseur d'air est connecté à un circuit protégé par des fusibles, utiliser des fusibles coussinets.

### IMPORTANT

Lire attentivement les recommandations de sécurité et TOUTES les instructions avant d'utiliser l'appareil.

[www.makitatools.com](http://www.makitatools.com)

[www.makita.ca](http://www.makita.ca)



# CONSIGNES DE SÉCURITÉ IMPORTANTES

## CONSERVER CE MODE D'EMPLOI.

**⚠ AVERTISSEMENT**  
**UNE UTILISATION OU UN ENTRETIEN INADÉQUAT DE CE PRODUIT PEUT ENTRAÎNER DES BLESSURES GRAVES ET DES DOMMAGES MATÉRIELS. S'ASSURER DE LIRE ET DE COMPRENDRE TOUS LES AVERTISSEMENTS ET TOUTES LES INSTRUCTIONS D'UTILISATION AVANT D'UTILISER CET ÉQUIPEMENT.**

### ⚠ AVERTISSEMENT

#### Risque d'utilisation non sécuritaire

##### CE QUI PEUT SE PRODUIRE

L'utilisation non sécuritaire de votre compresseur d'air peut causer des blessures.

##### COMMENT L'ÉVITER

- S'assurer d'examiner et de comprendre toutes les instructions et tous les avertissements contenus dans ce manuel.
- Se familiariser avec l'utilisation et les commandes du compresseur d'air.
- S'assurer qu'il n'y a aucune personne, aucun animal ni obstacle dans la zone d'utilisation.
- En toute circonstance, maintenir les enfants hors de portée du compresseur d'air.
- Ne pas utiliser ce produit lorsque vous êtes fatigué ou sous l'influence de l'alcool ou de la drogue. Toujours rester vigilant.
- Ne jamais mettre de côté les dispositifs de sécurité de ce produit.
- Installer un extincteur dans la zone d'utilisation.
- Ne pas utiliser l'appareil si des pièces sont manquantes ou brisées, ou s'il s'agit de pièces non certifiées.

### ⚠ AVERTISSEMENT

#### Risque d'éclatement du réservoir d'air comprimé

##### CE QUI PEUT SE PRODUIRE

Les situations suivantes peuvent mener à un affaiblissement du réservoir et CAUSER UNE VIOLENTE EXPLOSION DU RÉSERVOIR POUVANT ENTRAÎNER DES BLESSURES GRAVES :

- Ne pas évacuer correctement l'eau condensée dans le réservoir; cette eau cause la corrosion et l'aminçissement de la paroi du réservoir.
- Des modifications ou des tentatives de réparation effectuées sur le réservoir.
- Des modifications non autorisées au manoccontacteur, à la soupape de sûreté et à d'autres composants qui contrôlent la pression du réservoir.

##### COMMENT L'ÉVITER

- Vidanger le réservoir d'air quotidiennement ou après chaque utilisation. Si le réservoir d'air présente une

fuite, le remplacer immédiatement par un nouveau réservoir ou par un nouveau compresseur.

- Ne jamais percer un trou dans le réservoir d'air, y faire de la soudure ou y apporter quelque modification que ce soit, car il en sera affaibli. Il pourrait se rompre ou exploser. Remplacer par un nouveau réservoir d'air.
- Suivre les recommandations des fabricants des appareils et ne jamais excéder la pression nominale maximale autorisée pour l'équipement. Ne jamais utiliser le compresseur pour gonfler de petits objets comportant peu de pression, notamment les jouets pour enfants, les ballons de soccer, les ballons de basket-ball, etc.

### ⚠ AVERTISSEMENT

#### Risque d'éclatement de l'équipement et des accessoires

##### CE QUI PEUT SE PRODUIRE

En cas d'excès de la pression nominale des outils pneumatiques, pistolet de pulvérisation, accessoires à commande pneumatique, pneus ET autres objets gonflables, il est possible que ces derniers explosent et vol en morceaux, ce qui peut entraîner des blessures graves.

### ⚠ AVERTISSEMENT

#### Risque de décharge électrique

##### CE QUI PEUT SE PRODUIRE

- Votre compresseur d'air est alimenté par de l'électricité. Comme tout appareil électrique, s'il n'est pas utilisé correctement, il peut causer une décharge électrique.
- Mise à la terre électrique : le fait de ne pas faire une mise à la terre adéquate de ce produit pourrait augmenter le risque de décharge électrique.

##### COMMENT L'ÉVITER

- Tout câblage électrique ou toute réparation nécessaire de ce produit doit être pris en charge par un technicien certifié ou un électricien agréé, conformément aux codes électriques nationaux et locaux.
- S'assurer que le circuit électrique auquel le compresseur est branché fournit une mise à la terre électrique adéquate, une tension appropriée et une bonne protection par fusible.
- Ne jamais faire fonctionner le compresseur à l'extérieur lorsqu'il pleut ou dans des conditions humides.
- Ne jamais faire fonctionner le compresseur si les dispositifs de protection ou les couvercles sont enlevés ou endommagés.

### ⚠ AVERTISSEMENT

#### Risque d'explosion ou d'incendie

##### CE QUI PEUT SE PRODUIRE

Il est normal que des contacts électriques dans le moteur et le manoccontacteur fassent une étincelle lorsque le compresseur démarre ou s'arrête. Ne jamais faire fonctionner le compresseur dans une atmosphère ou sont présentes des vapeurs inflammables. Dans le cas contraire, des blessures graves pourraient en résulter.



## COMMENT L'ÉVITER

- Toujours utiliser le compresseur dans une zone bien aérée sans essence ou vapeurs de solvant.
- Si des matériaux inflammables sont projetés, placer le compresseur à au moins 6,1 m (20 pieds) de la zone de projection.
- Entreposer les matières inflammables dans un endroit sécuritaire, éloigné du compresseur.

## AVERTISSEMENT

### Risque respiratoire



## CE QUI PEUT SE PRODUIRE

- Il est dangereux de respirer l'air comprimé sortant du compresseur.  
Le flux d'air peut contenir du monoxyde de carbone, d'autres gaz ou des particules provenant du réservoir ou d'autres composants.
- Les matériaux vaporisés comme la peinture, les solvants de peinture, les décapants, les insecticides, les herbicides, etc. pourraient contenir des vapeurs nocives et du poison.
- L'inhalation de ces contaminants peut provoquer des blessures graves.

## COMMENT L'ÉVITER

- Ne jamais inhaler l'air provenant du compresseur, que ce soit directement ou par le biais d'un appareil de ventilation branché au compresseur. Travailler dans un environnement doté d'une bonne ventilation transversale.
- Lire et respecter les instructions de sécurité fournies sur l'étiquette ou la fiche technique santé-sécurité du produit pulvérisé.  
Utiliser un respirateur homologué et conçu pour être utilisé pour cette application en particulier.

## AVERTISSEMENT

### Risque concernant l'air comprimé



## CE QUI PEUT SE PRODUIRE

Le flux d'air comprimé peut endommager les tissus mous de la peau et peut souffler de la poussière, des fragments, des particules détachées et des petits objets à haute vitesse, ce qui pourrait entraîner des dommages matériels ou des blessures personnelles.

## COMMENT L'ÉVITER

- Lors de l'utilisation ou de l'entretien du compresseur, toujours utiliser des lunettes de sécurité homologuées munies d'écrans latéraux.
- Ne jamais pointer une buse ou un pulvérisateur vers une partie du corps ou vers d'autres personnes ou animaux.
- Toujours mettre le compresseur hors tension et purger la pression du tuyau à air avant d'effectuer l'entretien, de fixer des outils ou des accessoires.

## AVERTISSEMENT

### Risque associé aux pièces mobiles



## CE QUI PEUT SE PRODUIRE

Le compresseur s'enclenche automatiquement lorsque le monocontacteur est en position marche (on)/auto. Si vous tentez d'effectuer une réparation ou un entretien pendant que le compresseur fonctionne ou qu'il est branché, il est possible que vous vous exposiez aux pièces mobiles. Ces pièces mobiles peuvent causer des blessures graves.

## COMMENT L'ÉVITER

- Toujours débrancher le compresseur et libérer la pression d'air du réservoir et de tout équipement avant d'effectuer un entretien ou une réparation.
- Ne jamais faire fonctionner le compresseur si les dispositifs de protection ou les couvercles sont enlevés ou endommagés.
- Tenir les cheveux, les vêtements et les gants hors de portée des pièces mobiles. Les vêtements amples, bijoux ou cheveux longs peuvent s'enchevêtrer dans les pièces mobiles.
- S'éloigner des événements car ces derniers pourraient camoufler des pièces mobiles.

## AVERTISSEMENT

### Risque de brûlures



## CE QUI PEUT SE PRODUIRE

Toucher à des pièces chaudes, comme la tête du compresseur ou aux tuyaux de sortie, peut se solder par des brûlures graves.

## COMMENT L'ÉVITER

- Ne jamais toucher à des pièces chaudes pendant ou immédiatement après l'utilisation du compresseur. Ne pas toucher ni effectuer des réparations aux coiffes de protection avant que l'appareil n'ait refroidi.

## GLOSSAIRE

Pi3/min : pied cube par minute.

Pi3/min std : Pied cube standard par minute; une unité de mesure de l'écoulement de l'air.

PSIG : Pression par pouce carré; une unité de mesure de la pression.

**PRESSON D'ENCLÈCHEMENT** : Lorsque le moteur est arrêté, la pression du réservoir d'air chute pendant que vous continuez à utiliser votre accessoire ou outil pneumatique. Lorsque la pression du réservoir chute sous un certain niveau, le moteur redémarrera automatiquement. Le redémarrage est appelé « pression d'enclenchement ».

**PRESSON DE DÉCLÈCHEMENT** : Lorsque vous démarrez votre compresseur d'air, il commence à fonctionner et la pression d'air du réservoir commence à augmenter. Elle augmente jusqu'à un certain niveau avant que le moteur s'arrête automatiquement - ce qui protège votre réservoir d'air contre une pression supérieure à celle pour laquelle il a été conçu. La pression à laquelle le

moteur s'arrête est appelée « pression de déclenchement ».

## CYCLE DE TRAVAIL

Il est recommandé d'utiliser les compresseurs fabriqués par Makita à moins de 50 % du cycle de travail. Cela signifie qu'un compresseur d'air pompant l'air pendant plus de 50 % d'une heure est considérée comme une mauvaise utilisation, car le compresseur d'air n'est pas adéquat pour la demande d'air requise.

## INFORMATIONS GÉNÉRALES

Ce compresseur d'air fonctionne avec une pompe sans huile pour plus de durabilité et aucun entretien.

Le compresseur peut être utilisé avec des clouuses et agrafeuses pneumatiques adéquatement calibrées. Un régulateur de pression d'air est fourni pour ces applications.

### AVERTISSEMENT

Ne jamais utiliser un compresseur pour des applications autres que l'utilisation d'une cloueuse ou d'une agrafeuse adéquatement calibrée. L'utilisation du compresseur pour d'autres applications peut entraîner des dommages matériels et des blessures.

Le cas échéant, on doit utiliser des transformateurs d'air distincts combinant des fonctions de réglage d'air et/ou d'enlèvement de la saleté et de l'humidité.

## INSPECTION À LA RÉCEPTION

**DOMMAGES :** chaque ensemble de compresseur d'air est soigneusement testé et vérifié avant d'être expédié. Il est possible qu'une manutention inadéquate provoque des dommages et rende le fonctionnement du compresseur problématique.

Dès son arrivé, vérifiez la présence de dommages cachés ou visibles afin d'éviter les dépenses liées à la correction de tels problèmes. Cette opération doit être effectuée même s'il n'y a aucun signe visible de dommages à l'emballage d'expédition. Si ce produit vous a été expédié directement, faites un rapport des dommages au transporteur et planifiez immédiatement une inspection.

## RANGEMENT

Avant de ranger le compresseur d'air, s'assurer de procéder comme suit :

1. Examiner les sections « Entretien » et « Consignes d'utilisation » et effectuer l'entretien; le cas échéant. S'assurer de vidanger l'eau du réservoir d'air.
2. Protéger le cordon électrique et le tuyau à air contre les dommages (éviter qu'on y trébuché ou qu'on marche dessus).

Ranger le compresseur d'air dans un endroit propre et sec.

## DESCRIPTION DE FONCTIONNEMENT

**ROBINET DE VIDANGE :** Le robinet de vidange se trouve à la base du réservoir d'air. Il sert à purger la condensation à la fin de chaque utilisation.

## DISJONCTEUR THERMIQUE :

Le moteur électrique possède un disjoncteur thermique à réenclenchement manuel. Si pour une raison ou une autre le moteur surchauffe, le disjoncteur thermique arrêtera le moteur. Placer le monocontacteur à la position « arrêt (off) » et attendre jusqu'à ce que l'appareil se refroidisse avant d'appuyer sur le bouton de remise en marche et de redémarrer le compresseur.

## LIMITEUR DE SURCHARGE DU MOTEUR :

Lorsque le courant nominal du moteur est surpassé, le limiteur de surcharge procédera automatiquement à l'arrêt du moteur.

On doit permettre au moteur de refroidir avant le redémarrage. Le compresseur redémarrera automatiquement après le refroidissement du moteur.

## INTERRUPTEUR MARCHE/AUTO - ARRÊT :

Mettre cet interrupteur à « marche (on) » afin de fournir automatiquement la puissance au monocontacteur et à « arrêt (off) » pour retirer la puissance lorsque vous avez terminé d'utiliser le compresseur ou lorsque le compresseur est laissé sans surveillance.

## FILTRE D'ADMISSION D'AIR :

Ce filtre est conçu pour nettoyer l'air entrant dans la pompe du compresseur. Ce filtre doit toujours être propre et sans obstruction. Consulter la section « Entretien ».

## POMPE DU COMPRESSEUR D'AIR :

Pour comprimer l'air, le piston se déplace vers le haut et vers le bas du cylindre. Dans sa course vers le bas, l'air est tiré par la soupape d'admission d'air. La soupape d'échappement demeure fermée.

Dans la course du piston vers le haut, l'air est comprimé. La soupape d'admission se ferme et l'air comprimé est forcé dans la soupape d'échappement, la tubulure d'échappement, le clapet et finalement le réservoir d'air. Aucune air utilisable n'est disponible jusqu'à ce que le compresseur ait augmenté la pression du réservoir d'air au-delà de celle requise par la sortie d'air.

## CLAPET :

Lorsque le compresseur d'air fonctionne, le clapet est « ouvert », ce qui permet à l'air comprimé d'entrer dans le réservoir d'air. Lorsque le compresseur d'air atteint la pression de « déclenchement », le clapet se « ferme », ce qui permet à la pression d'air de demeurer à l'intérieur du réservoir d'air.

## SOUPAPE DE DÉCHARGE DU MANOCONTACTEUR :

La soupape de décharge du monocontacteur située sur le côté du monocontacteur est conçue pour libérer automatiquement l'air comprimée de la tête du compresseur et de la tubulure d'échappement lorsque l'air comprimé atteint la pression de « déclenchement ».

## MANOCONTACTEUR :

Le monocontacteur démarre automatiquement le moteur lorsque la pression du réservoir d'air descend au-dessous

de la pression d'« enclenchement » prédéfinie à l'usine. Il arrête le moteur lorsque la pression du réservoir d'air atteint la pression de « déclenchement » prédéfinie à l'usine.

## SOUPEPE DE SÛRETÉ :

Si le manomètre n'arrête pas le compresseur d'air selon le réglage de la pression de « déclenchement », la soupape de sûreté protégera le réservoir contre la haute pression en se « déclenchant » selon la pression définie à l'usine (laquelle est légèrement plus élevée que la pression de « déclenchement » du manomètre).

## MANOMÈTRE DE SORTIE :

Le manomètre de sortie indique la pression d'air disponible du côté de la sortie du régulateur. Cette pression est contrôlée par le régulateur et est toujours inférieure ou égale à la pression du réservoir. Consulter la section « Consignes d'utilisation ».

## MANOMÈTRE DE RÉSERVOIR :

Le manomètre de réservoir indique la pression d'air dans le réservoir.

## RÉGULATEUR :

La poignée du régulateur contrôle la pression d'air provenant du réservoir d'air. Tourner la poignée dans le sens des aiguilles d'une montre pour augmenter la pression et dans le sens inverse pour la diminuer. Afin d'éviter des réajustements mineurs après avoir effectué un changement dans un réglage de pression, il faut toujours approcher la pression désirée à partir d'une pression inférieure. Commencer par réduire la pression à une pression inférieure lors d'une réduction depuis un réglage supérieur vers un réglage inférieur. Selon les exigences de chaque accessoire particulier, la pression d'air régulée par la sortie pourrait devoir être ajustée lorsque vous utilisez l'accessoire.

## SORTIE D'AIR COMPRIMÉ; « H.P. »

À utiliser exclusivement avec les outils pneumatiques à haute pression  
Pression maximale de la sortie; 375 PSIG (2,6 MPa)

Consulter le tableau ci-dessous pour obtenir les exigences MINIMALES concernant la rallonge :

Plage de valeurs en ampère (120 V)	Longueur totale du cordon en mètre					
	10 m 25 pi	15 m 50 pi	20 m 75 pi	30 m 100 pi	50 m 150 pi	60 m 200 pi
0 - 5 A	16	16	16	14	12	12
5 - 8 A	16	16	14	12	10	
8 - 12 A	14	14	12	10		
12 - 15 A	12	12	10	10	Non recommandé	
15 - 20 A	10	10	10			

## Canalisation

Les tuyaux de plastique ou de PVC ne sont pas conçus pour être utilisés avec l'air comprimé. Un tuyau de plastique peut éclater indifféremment de la pression nominale indiquée. Utiliser uniquement des tuyaux métalliques pour les lignes de distribution d'air. Si une conduite est nécessaire, en utiliser une de la même dimension (ou d'une dimension supérieure) que la sortie

## SORTIE D'AIR COMPRIMÉ; « P.R. »

À utiliser exclusivement avec les outils pneumatiques à pression régulière

Pression maximale de la sortie; 130 PSIG (0,9 MPa)

## PROCÉDURES D'INSTALLATION ET DE RODAGE

### EMPLACEMENT DU COMPRESSEUR D'AIR

Placer le compresseur d'air dans un endroit propre, sec et bien aéré. Le filtre à air doit être maintenu libre d'obstruction pouvant réduire l'approvisionnement en air au compresseur d'air. Le compresseur d'air doit être placé à au moins 304,8 mm (12 po) du mur ou d'autres obstructions qui pourraient interférer avec le débit d'air. La tête et le déflecteur du compresseur d'air sont conçus pour permettre un refroidissement adéquat. Si l'humidité est élevée, il est possible d'installer un filtre à air sur l'adaptateur de sortie d'air afin d'éliminer l'humidité excessive. Pour une installation adéquate, suivre les instructions incluses avec le filtre à air. Placer le compresseur d'air sur une surface plane afin qu'il soit solidement installé sur ses pieds de caoutchouc.

## LUBRIFICATION

Ce compresseur d'air fonctionne avec une pompe sans huile pour plus de durabilité et aucun entretien.

## Rallonges

Utiliser un tuyau à air supplémentaire au lieu d'une rallonge pour éviter une chute de tension, une perte de puissance et une surchauffe du moteur. Une basse tension peut endommager le moteur.

Si l'on doit utiliser une rallonge :

- utiliser une rallonge à trois fils qui possède une fiche de mise à la terre à trois lames, ayant un réceptacle à trois fentes qui acceptent la fiche sur ce compresseur d'air.
- s'assurer que la rallonge est en bonne condition.

du réservoir d'air. Une tuyauterie trop petite restreindra le débit d'air. Si la canalisation fait plus de 100 pieds de long, utiliser la seconde dimension plus grande. Enterrer les lignes souterraines sous le seuil du gel et éviter les poches où la condensation peut s'amasser et geler. Appliquer une pression avant d'enterrer les lignes afin d'assurer que les joints ne comportent pas de fuite.

## Instructions de mise à la terre

AVERTISSEMENT: risque de décharge électrique. Au cas où un court-circuit se produirait, la mise à la terre réduit le risque de décharge électrique en fournissant un fil d'échappement pour le courant électrique. Le compresseur d'air doit être correctement mis à la terre.

Le compresseur d'air est muni d'un cordon ayant un fil de mise à terre avec une prise de mise à la terre conséquente. Cette prise doit être utilisée avec une prise correctement installée et mise à la terre, conformément aux codes et règlements locaux. La prise doit avoir la même configuration que la fiche. **NE PAS UTILISER D'ADAPTATEUR.**

Inspecter la fiche et le cordon avant chaque utilisation. Ne pas les utiliser s'ils présentent des signes de dommages.

### **DANGER :**

une mise à la terre inadéquate peut provoquer une décharge électrique. Ne pas modifier la fiche fournie. Si elle ne s'insère pas dans la prise disponible, une prise adéquate doit être installée par un électricien qualifié.

## CONSIGNES D'UTILISATION

### Liste de vérification quotidienne de démarrage

### RACCORDEMENTS DES TUYAUX

#### **AVERTISSEMENT**

**Risque d'utilisation non sécuritaire. Saisir fermement le tuyau en main lors du raccordement ou de la déconnexion pour empêcher un à-coup du tuyau. La perte du contrôle du tuyau peut entraîner des blessures et des dommages matériels.**

1. Avant de raccorder un tuyau ou des accessoires, s'assurer que le manocontacteur est à la position « ARRÊT (off) » et que le régulateur d'air ou la soupape d'arrêt est fermée.
2. Raccorder le tuyau et les accessoires. Une pression d'air trop importante provoque un danger d'éclatement. Vérifier la pression nominale maximale spécifiée par le fabricant pour les outils et les accessoires. La pression de sortie du régulateur ne doit jamais excéder la pression nominale maximale.
3. Mettre le manocontacteur à la position « MARCHÉ/AUTO (on/auto) » et laisser le temps à la pression d'augmenter. Le moteur s'arrêtera lorsque la pression du réservoir atteindra la pression de « déclenchement ».
4. Ouvrir le régulateur en le tournant dans le sens des aiguilles d'une montre. Régler le régulateur selon la configuration de pression requise. Votre compresseur est prêt à être utilisé.
5. Toujours utiliser le compresseur d'air dans une zone bien aérée sans essence ou vapeurs de solvant. Ne pas utiliser le compresseur près d'une zone de projection.

Lorsque vous avez terminé :

### DÉCONNEXION DES TUYAUX

#### **AVERTISSEMENT**

**Risque d'utilisation non sécuritaire. Saisir fermement le tuyau en main lors du raccordement ou de la déconnexion pour empêcher un à-coup du tuyau. La perte du contrôle du tuyau peut entraîner des blessures et des dommages matériels.**

6. Mettre le manocontacteur à la position « ARRÊT (off) ».
7. À l'aide de l'outil pneumatique ou de l'accessoire, descendre la pression du réservoir à zéro.
8. Enlever l'outil pneumatique ou l'accessoire.
9. Vidanger l'eau du réservoir d'air en ouvrant le robinet de vidange dans le bas du réservoir. **L'EAU SE CONDENSERA DANS LE RÉSERVOIR D'AIR. SI ELLE N'EST PAS VIDANGÉE, L'EAU CORRODERA ET AFFAIBLIRA LE RÉSERVOIR D'AIR CAUSANT AINSI UN RISQUE DE RUPTURE DU RÉSERVOIR D'AIR.**

#### **Remarque :**

Si un robinet de vidange est installé, libérer toute la pression d'air. Le robinet peut ensuite être enlevé, nettoyé et réinstallé.

10. Après la vidange de l'eau, fermer le robinet de vidange. Le compresseur d'air peut maintenant être rangé.

#### **AVERTISSEMENT**

**Vidanger le réservoir d'air correctement. Une vidange inadéquate du réservoir d'air peut entraîner de la corrosion et le possible éclatement du réservoir. L'éclatement du réservoir peut provoquer des blessures et des dommages matériels.**

# ENTRETIEN

## **⚠️ AVERTISSEMENT :**

**Ne jamais utiliser un compresseur d'air s'il fonctionne de manière anormale.**

**Si le compresseur d'air semble fonctionner de manière inhabituelle, qu'il émet des bruits ou des vibrations étranges, cessez immédiatement de l'utiliser et planifiez sa réparation par un centre de service certifié Makita.**

## **⚠️ AVERTISSEMENT :**

**Utiliser uniquement des pièces de rechange Makita authentiques. Le remplacement par des pièces non fabriquées par Makita peut annuler votre garantie et provoquer un mal fonctionnement entraînant des blessures. Les pièces Makita authentiques sont disponibles auprès d'un revendeur autorisé.**

## **⚠️ AVERTISSEMENT :**

**L'APPAREIL S'ENCLENCHE AUTOMATIQUEMENT LORSQUE**

**L'ALIMENTATION EST À LA POSITION MARCHÉ (ON). LORSQUE VOUS EFFECTUEZ UN ENTRETIEN, VOUS POURRIEZ ÊTRE EXPOSÉ À DES SOURCES DE TENSION ÉLECTRIQUE, D'AIR COMPRIMÉ ET DE PIÈCES MOBILES. IL EXISTE UN RISQUE DE BLESSURES. AVANT D'EFFECTUER UN ENTRETIEN OU UNE RÉPARATION, DÉBRANCHER LE COMPRESSEUR ET ÉLIMINER TOUTE LA PRESSION D'AIR.**

Pour assurer un fonctionnement efficace et une durée de vie prolongée du compresseur d'air, un calendrier d'entretien courant doit être préparé et respecté. Le calendrier d'entretien suivant est conçu pour un appareil dans un environnement de fonctionnement normal utilisé quotidiennement. Si nécessaire, le calendrier doit être modifié pour répondre aux conditions selon lesquelles le compresseur est utilisé. Les modifications dépendront du nombre d'heures d'utilisation et de l'environnement de fonctionnement. Les compresseurs se trouvant dans un environnement extrêmement sale et/ou inhospitalier nécessiteront plus de fréquence pour toutes les vérifications d'entretien.

## **CALENDRIER D'ENTRETIEN COURANT**

1. Vidanger l'eau du réservoir d'air, des séparateurs-déshumidificateurs ou des transformateurs.
2. Vérifier tout bruit inhabituel et/ou vibration.
3. Vérifier manuellement toutes les soupapes de sûreté pour vous assurer qu'elles fonctionnent correctement.

## **⚠️ AVERTISSEMENT : risque d'éclatement.**

**Vérifier la soupape de sûreté. Si la soupape de sûreté ne fonctionne pas correctement, une surpressurisation pourrait se produire, causant la rupture du réservoir d'air ou une explosion, et entraînant des blessures ou des dommages matériels.**

4. Inspecter le filtre à air et le remplacer si nécessaire.

5. Inspecter les lignes d'air et les raccords pour vous assurer qu'il n'y a pas de fuite; faire les corrections nécessaires.

À chaque année d'utilisation ou si un problème est suspecté :

- Vérifier l'état de l'admission de la pompe et des soupapes d'échappement du compresseur d'air.
  - Vérifier l'état du clapet. S'il est usé ou endommagé, procéder au remplacement.
6. Maintenir toutes les vis, boulons et couvercles bien serrés. Vérifier leur état périodiquement.

## **⚠️ AVERTISSEMENT**

**Maintenir toutes les vis, boulons et couvercles correctement serrés. Si des filières ou des couvercles se desserrent, cela pourrait entraîner des blessures ou des dommages matériels.**

# **GARANTIE LIMITÉE D'UN AN DE MAKITA**

EN0006-1

## **Politique de garantie**

Chaque outil Makita est soigneusement inspecté et testé avant de quitter l'usine. Nous garantissons qu'il est exempt de défaut sur les pièces et la main-d'oeuvre pendant une période d'UN AN à compter de la date d'achat initiale.

Si un problème se développe durant cette période d'un an, retourner l'outil au COMPLET, franco de port, à une des usines ou un des centres de service certifiés Makita. Si l'inspection permet de déterminer que le problème est causé par un défaut sur les pièces ou la main-d'oeuvre, Makita procédera à la réparation (ou à sa discrétion, au remplacement) sans frais.

La garantie ne s'applique pas lorsque :

- des réparations ont été effectuées ou tentées par un tiers ;
- des réparations sont requises en raison de l'usure normale ;
- l'outil a subi des abus, a été mal utilisé ou incorrectement entretenu ;
- des altérations ont été effectuées sur l'outil.

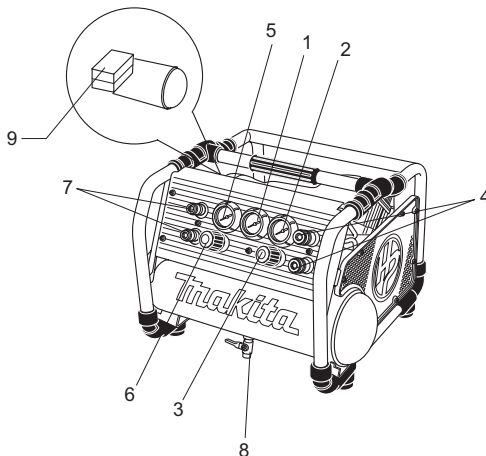
**EN AUCUN CAS, MAKITA NE PEUT ÊTRE TENU RESPONSABLE POUR DES DOMMAGES INDIRECTS, ACCIDENTELS OU IMMATERIELS DÉCOULANT DE LA VENTE OU DE L'UTILISATION DU PRODUIT. CET AVIS DE NON-RESPONSABILITÉ S'APPLIQUE DURANT ET APRÈS LA DURÉE DE CETTE GARANTIE. MAKITA N'ASSUME AUCUNE RESPONSABILITÉ POUR DES GARANTIES IMPLICITES, INCLUANT LES GARANTIES DE « QUALITÉ MARCHANDE » ET D'« APTITUDE POUR UNE APPLICATION PARTICULIÈRE », APRÈS LA PÉRIODE D'UN AN DE CETTE GARANTIE.**

Cette garantie vous donne des droits particuliers reconnus par la loi. Il est également possible que vous ayez d'autres droits selon l'endroit où vous demeurez. Certains États ne permettent pas l'exclusion ou la limitation des dommages accidentels ou indirects, il est donc possible que la limitation ou exclusion ci-dessus ne s'applique pas à vous.

Certains États ne permettent pas la limitation sur la durée de la garantie implicite, il est donc possible que la limitation ci-dessus ne s'applique pas à vous.

## Explicación - Visión general

1. Manómetro del tanque de aire
2. Manómetro regulado "HP"
3. Regulador de aire "HP"
4. Acopladores "HP" de rápida acción (toma de aire)
5. Manómetro regulado "RP"
6. Regulador de aire "RP"
7. Acoplador "RP" de rápida acción (toma de aire)
8. Válvula de drenado
9. Interruptor de presión



## ESPECIFICACIONES

Modelo	AC310H
Producción máxima de energía	1500 W
SCFM @ 40 PSIG	3,7
SCFM @ 90 PSIG	3,6
SCFM @ 300 PSIG	2,7
Presión de activación	330 PSIG (2,3 MPa)
Presión de desactivación	400 PSIG (2,8 MPa)
Calibre x Ciclo x Cantidad	62 mm x 31 mm x 1, 145 mm x 10 mm x 1
Voltaje - Monofásico	120 V CA
Hz	60 Hz
RPM - Motor	1700 min <sup>-1</sup>
Lubricación	Sin aceite
Capacidad del tanque	6,2 L (1,6 gal)
Peso	36 kg (79,4 lb)
Dimensiones (La x An x Al)	476 x 375 x 507 mm (18-3/4" x 14-3/4" x 20")
Presión máxima de la toma "HP" (Para uso exclusivo de alta presión neumática)	375 PSIG (2,6 MPa)
Presión máxima de la toma "RP" (Para uso exclusivo de presión neumática normal)	130 PSIG (0,9 MPa)
Clasificación CSA/US	Sí

• Debido a nuestro programa continuo de investigación y desarrollo, las especificaciones aquí dadas están sujetas a cambios sin previo aviso.

• Nota: las especificaciones pueden ser diferentes de país a país.

Requisito mínimo del circuito: 15 amperes

\* Se prefiere el uso de un cortacircuitos ("breaker"). Utilice solamente un fusible o cortacircuitos que sea de la misma clasificación que el circuito en el que opera el módulo del compresor de aire. Si el compresor de aire está conectado a un circuito protegido por fusibles, utilice fusibles con retardo de tiempo.

### IMPORTANTE

Lea con atención las Normas de Seguridad, así como TODAS las instrucciones antes de utilizar el equipo.

www.makitatools.com



# INSTRUCCIONES IMPORTANTES DE SEGURIDAD

## CONSERVE ESTAS INSTRUCCIONES.

**⚠️ ADVERTENCIA**  
**LA OPERACIÓN Y EL MANTENIMIENTO INCORRECTOS DE ESTE PRODUCTO PUEDE RESULTAR EN LESIONES GRAVES A LA PERSONA O DAÑOS AL EQUIPO.**  
**LEA Y COMPRENDA TODAS LAS ADVERTENCIAS E INSTRUCCIONES DE OPERACIÓN ANTES DE USAR ESTE EQUIPO.**

### ⚠️ ADVERTENCIA

#### Riesgo de operación insegura

#### LO QUE PUEDE PASAR

La operación insegura de su compresor de aire puede resultar en graves lesiones hacia usted u otras personas.

#### CÓMO PUEDE PREVENIR ESTO

- Revise y comprenda todas las instrucciones y advertencias que se indican en este manual.
- Familiarícese con la operación y los controles del compresor de aire.
- Mantenga el área de operación despejada de personas, mascotas y obstáculos.
- Mantenga a los niños alejados del compresor de aire en todo momento.
- No opere el equipo si está cansado o bajo la influencia los efectos del alcohol, medicinas u otras sustancias. Manténgase alerta en todo momento.
- Nunca anule la funcionalidad de seguridad que ofrece el producto.
- Equipe el área de operación con un extintor de incendios.
- No opere el equipo si nota que faltan piezas, si alguna pieza está dañada, ni con piezas no autorizadas.

### ⚠️ ADVERTENCIA

#### Riesgo de que el tanque de aire explote

#### LO QUE PUEDE PASAR

Las siguientes condiciones podrían originar un debilitamiento del tanque, lo cual **RESULTARÁ EN UNA EXPLOSIÓN VIOLENTA DEL TANQUE OCASIONANDO GRAVES LESIONES A USTED Y A OTRAS PERSONAS:**

- Negligencia por no drenar el agua condensada del tanque, ocasionando oxidación y adelgazamiento de la pared del tanque.
- Alteraciones o intentos de reparar el tanque.
- Alteraciones no autorizadas al interruptor de presión, válvula de seguridad o de cualquier otro componente que controle la presión del tanque.

#### CÓMO PUEDE PREVENIR ESTO

- Drene el tanque de aire diariamente o después de cada uso. Si se origina una fuga en el tanque, cambie de inmediato el tanque con un nuevo, o reemplace el compresor de aire por completo.

- No taladre, suelde ni modifique en alguna forma el tanque de aire o éste se debilitará. El tanque podrá romperse o explotar. Cambie el tanque por uno nuevo.
- Siga las recomendaciones del fabricante del equipo y nunca exceda la clasificación de la presión máxima permitida de los aditamentos. No use nunca un compresor para inflar objetos de baja presión como juguetes para niños, pelotas o balones, etc.

### ⚠️ ADVERTENCIA

#### Riesgo de que los aditamentos o accesorios exploten



#### LO QUE PUEDE PASAR

Exceder la clasificación de presión para herramientas de aire, pistolas de aire (o atomizadores), accesorios que funcionan a base de presión de aire, neumáticos Y de cualquier otro objeto inflable puede ocasionar que se revienten o salgan proyectados lo cual podría resultar en graves lesiones para usted y otras personas.

### ⚠️ ADVERTENCIA

#### Riesgo de descarga eléctrica



#### LO QUE PUEDE PASAR

- Su compresor de aire funciona con electricidad. Así como con cualquier otro dispositivo eléctrico, si no se usa correctamente, puede ocasionarse una descarga eléctrica.
- Aterrizado eléctrico: el no proporcionar una aterrizado adecuado para este equipo podría aumentar el riesgo de descargas eléctricas.

#### CÓMO PUEDE PREVENIR ESTO

- Cualquier cableado eléctrico o reparación requerida para este equipo deberá realizarse por personal de servicio calificado o electricista con licencia, de acuerdo a los criterios eléctricos nacionales y locales.
- Cerciórese de que el circuito eléctrico al cual está conectado el compresor proporciona un aterrizado eléctrico adecuado, el voltaje correcto y la protección que corresponda mediante fusibles.
- Nunca opere el compresor al aire libre si está lloviendo, ni en un entorno mojado.
- Nunca opere el compresor con protectores o cubiertas que tengan daños o que hayan sido quitados del equipo.

### ⚠️ ADVERTENCIA

#### Riesgo de explosión o incendio



#### LO QUE PUEDE PASAR

Es normal que haya un chispa debido a los contactos eléctricos dentro del motor y el interruptor de presión en cualquier ocasión en que se prenda o apague el compresor. Nunca opere el compresor ante entornos donde haya presencia de gases inflamables. Hacer esto puede resultar en graves lesiones hacia usted u otras personas.



## CÓMO PUEDE PREVENIR ESTO

- Siempre opere el compresor en una área bien ventilada donde no haya gasolina ni otros gases solventes.
- Si se está rociando material inflamable, coloque el compresor a una distancia de al menos 6 metros (20 pies) de donde haciendo el rociado.
- Almacene los materiales inflamables en un lugar seguro alejado del compresor.

### ADVERTENCIA



#### Riesgo de inhalación

### LO QUE PUEDE PASAR

- El aire comprimido de su compresor no es seguro para ser respirado. Puede que dicho torrente de aire contenga monóxido de carbono, otros vapores o partículas del tanque u otros componentes.
- Los materiales rociados como pintura, solventes de pintura, eliminadores de maleza, etc. contienen gases dañinos y venenosos.
- La inhalación de los materiales usados con el compresor o gases expedidos puede resultar en graves lesiones.

## CÓMO PUEDE PREVENIR ESTO

- Nunca respire el aire desde el compresor, ya sea de forma directa o de algún dispositivo de ventilación conectado al compresor. Trabaje en un lugar que cuente con buenos puntos de ventilación.
- Lea y siga las instrucciones de seguridad que se incluyen en la etiqueta o en la hoja de datos de seguridad para el material a ser rociado. Use un respirador aprobado diseñado para usarse con la aplicación específica a ser realizada.

### ADVERTENCIA



#### Riesgo debido al aire comprimido

### LO QUE PUEDE PASAR

La corriente de aire comprimido puede causar daño a los tejidos suaves, así como proyectar partículas, astillas y pequeños objetos con gran fuerza.

## CÓMO PUEDE PREVENIR ESTO

- Use siempre gafas protectoras aprobadas con cubiertas laterales cuando use o realice el mantenimiento del compresor.
- Nunca apunte la boquilla o el rociador hacia ninguna parte del cuerpo, ni hacia otra persona o animal.
- Apague siempre el compresor y drene la presión del conducto de aire antes de realizar algún servicio de mantenimiento, colocar aditamentos o accesorios.

### ADVERTENCIA



#### Riesgo debido a las piezas móviles

### LO QUE PUEDE PASAR

El compresor se alterna automáticamente cuando el interruptor de la presión está en la posición de encendido

o en la posición automática. Si va a hacer algún servicio de reparación o mantenimientos mientras el compresor está siendo utilizado o está conectado, puede exponerse a las piezas móviles. Estas piezas móviles pueden causar graves lesiones.

## CÓMO PUEDE PREVENIR ESTO

- Desconecte siempre el compresor y libere la presión de aire del tanque y de cualquier aditamento antes de realizar cualquier servicio de mantenimiento o reparación.
- Nunca opere el compresor con protectores o cubiertas que tengan daños o que hayan sido quitados del equipo.
- Mantenga su cabello, prendas de vestir y guantes alejados de las piezas móviles. Las ropas sueltas, al igual que las alhajas y el cabello largo, pueden engancharse en las piezas móviles.
- Las aberturas para la ventilación puede que encubran las piezas móviles, por lo que deberá evitar exponerse a ellas también.

### ADVERTENCIA



#### Riesgo de quemaduras

### LO QUE PUEDE PASAR

El contacto con piezas calientes como la cabeza del compresor o los tubos de la toma podría resultar en quemaduras graves de la piel.

## CÓMO PUEDE PREVENIR ESTO

- Nunca toque los componentes calientes durante o inmediatamente tras la operación del compresor. No trate de alcanzar las piezas que quedan más allá de las cubiertas o protectores, ni realice servicio de mantenimiento hasta que el equipo se haya enfriado.

## GLOSARIO

CFM: pies cúbicos por minuto.

SCFM: pies cúbicos por minuto estándar; una unidad de medición en el suministro de aire.

PSIG: libras por pulgada cuadrada de presión de manómetro.

**PRESIÓN DE ACTIVACIÓN:** mientras el motor está apagado, la presión del aire en el tanque baja a medida que continúa utilizando el equipo. Cuando la presión baja alcanzando cierto nivel, el motor se reactivará automáticamente. A esta activación se le conoce como "presión de activación".

**PRESIÓN DE DESACTIVACIÓN:** Al encender el compresor de aire, éste comenzará a funcionar y la presión en el tanque de aire comenzará a acumularse. La presión se acumulará hasta cierto punto antes de que el motor se apague automáticamente con el fin de proteger el tanque de aire contra una mayor presión para el cual está diseñado. La presión en la cual el motor se apaga se le conoce como "presión de desactivación".

## CICLO DE SERVICIO

Se recomienda que todos los compresores de aire fabricados por MAKITA sean utilizados sobre un ciclo de

servicio a no más del 50% del mismo. Esto significa que un compresor de aire que bombea más del 50% del aire en una hora se consideraría como uso indebido ya que el compresor de aire estaría subdimensionado para la demanda de aire requerida.

## INFORMACIÓN GENERAL

Este compresor de aire está equipado con una bomba sin aceite diseñada para su durabilidad y que no requiere mantenimiento.

El compresor puede usarse para clavadoras y grapadoras neumáticas correctamente clasificadas. Se proporciona un regulador de presión para el uso de estas aplicaciones.

### ADVERTENCIA

Nunca use el compresor para aplicaciones que no funcionen con una clavadora o grapadora correctamente clasificada. El uso del compresor para otras aplicaciones puede generar daño a la propiedad y lesiones personales.

Se deberán usar transformadores de aire por separado los cuales combinen las funciones de regulación de aire y/o humedad y eliminación de residuos en los casos en los que corresponda.

## INSPECCIÓN AL RECIBIR EL EQUIPO

**DAÑOS:** cada artefacto del compresor de aire es sometido a pruebas y revisiones exhaustivas antes de su envío. Con un manejo inapropiado durante el envío del equipo, puede que se generen daños que podrían causar problemas en la operación.

Al recibir el equipo, compruebe inmediatamente si hay daños ocultos o visibles para evitar los gatos que se incurrirán para corregir dichos problemas. Esto deberá hacerse desde el contenedor en donde viene el equipo, independientemente de cualquier signo visible de daños. Si el producto le fue enviado directamente, reporte cualquier daño al transportador y coordine una inspección de los bienes inmediatamente.

## ALMACENTAMIENTO

Antes de almacenar su compresor de aire, asegúrese de hacer lo siguiente:

1. Revise las secciones de "Mantenimiento" y "Procedimientos de operación" y realice el mantenimiento según sea necesario. Asegúrese de drenar el agua del tanque de aire.
2. Proteja el cable eléctrico y la manguera de aire contra daños (como el evitar que alguien los pise o aplaste). Almacene el compresor de aire en un lugar limpio y seco.

## DESCRIPCIÓN DE LA OPERACIÓN

**VÁLVULA DE DRENADO:** La válvula de drenado se ubica en la parte inferior del tanque de aire y se utiliza para drenar la condensación al final de cada uso.

## CORTACIRCUITO TÉRMICO:

El motor eléctrico cuenta con un cortacircuito térmico de restauración manual. Si el motor se sobrecaliente por cualquier motivo, el cortacircuito apagará el motor. Ponga el interruptor para la presión en la posición de apagado

("off") y espere a que la herramienta se haya enfriado antes de presionar el botón restaurador y reinicie el equipo.

## PROTECTOR TÉRMICO DE SOBRECARGA DEL MOTOR:

Cuando se sobrepasa la corriente eléctrica del motor, el termo-protector se activa y apaga el motor automáticamente.

Debe dejar que el motor se enfríe antes de reiniciar. El compresor se reiniciará automáticamente después de que el motor se enfríe.

## INTERRUPTOR DE ENCENDIDO / AUTO / APAGADO

Ponga este interruptor en la posición de encendido ("on") para suministrar energía automática al interruptor de la presión, y póngalo en la posición de apagado ("off") para eliminar el suministro al terminar de usar el compresor o cuando no esté bajo su completa atención.

## FILTRO DE LA ENTRADA DE AIRE:

Este filtro está diseñado para limpiar el aire que ingreso hacia la bomba del compresor. Este filtro debe estar siempre limpio y sin obstrucciones. Consulte "Mantenimiento".

## BOMBA DEL COMPRESOR DE AIRE:

Para comprimir el aire, el pistón se mueve de arriba para abajo en el cilindro. Estando en la posición baja del ciclo, el aire es absorbido a través de la válvula de entrada de aire. La válvula de escape permanece cerrada.

Estando en la posición elevada del pistón, el aire es comprimido. La válvula de entrada se cierra y el aire comprimido es forzado a través de la válvula de escape, a través del tubo de la toma, a través de la válvula de retención y hacia el tanque de aire. El aire utilizable no está disponible hasta que el compresor ha elevado la presión del tanque de aire por encima del requerido en la toma de aire.

## VÁLVULA DE RETENCIÓN:

Quando el compresor de aire está funcionando, la válvula de retención se "abre", permitiendo el paso del aire comprimido hacia el tanque de aire. Cuando el compresor alcanza la presión de "desactivación", la válvula de retención se "cierra", permitiendo que la presión de aire permanezca dentro del tanque de aire.

## VÁLVULA DEL INTERRUPTOR DE DESCARGA DE PRESIÓN:

La válvula del interruptor de descarga de la presión, que se encuentra sobre el costado del interruptor de la presión, está diseñada para liberar automáticamente el aire desde la cabeza del compresor y de la toma del tubo cuando el compresor de aire alcance presión de "desactivación".

## INTERRUPTOR DE LA PRESIÓN:

El interruptor de la presión activa automáticamente el motor cuando la presión del tanque de aire baja a presión de "activación" establecida de fábrica. Detiene el motor

cuando la presión del tanque de aire alcanza la presión de "desactivación" establecida de fábrica.

## VÁLVULA DE SEGURIDAD:

Si el interruptor de la presión no apaga el compresor de aire en su ajuste de presión de "desactivación", la válvula de seguridad ofrecerá protección contra la presión elevada al "salirse" en su ajuste de presión de fábrica, el cual es levemente mayor al ajuste de "desactivación" del interruptor de la presión.

## MONÓMETRO DE LA TOMA:

El manómetro de la toma indica la presión de aire disponible en el lado de la toma del regulador. Esta presión es controlada por el regulador y siempre es menor o igual a la presión del tanque. Consulte "Procedimientos de operación".

## MANÓMETRO DEL TANQUE:

El manómetro del tanque indica la presión de aire en el tanque.

## REGULADOR:

La presión de aire que viene del tanque de aire es controlada por la perilla del regulador. Gírela en dirección de las manijas del reloj para incrementar la presión, y en dirección contraria para reducirla. Para evitar tener que hacer reajustes menores tras hacer un cambio en el ajuste de la presión, siempre alcance la presión deseada partiendo de un punto bajo de presión y vaya subiendo hasta alcanzar el punto deseado. Al tener que reducir de un ajuste mayor, primero reduzca a un punto un tanto inferior al punto deseado. Dependiendo de los requisitos de aire de cada accesorio particular, puede que la presión de aire de la toma regulada tenga que ser ajustada mientras está operando con el accesorio.

TOMA DE AIRE COMPRIMIDO; marca "HP"

Para uso exclusivo de la herramienta de alta presión neumática

Presión máxima de la toma; 375 PSIG (2,6 MPa)

TOMA DE AIRE COMPRIMIDO; marca "RP"

Para uso normal de la herramienta de presión neumática

Consulte la siguiente tabla para conocer los requisitos MÍNIMOS del manómetro del cable de extensión:

Rango de la clasificación de amperaje (120 V)	Longitud total en metros pies					
	10 m 25 pies	15 m 50 pies	20 m 75 pies	30 m 100 pies	50 m 150 pies	60 m 200 pies
0 - 5 A	16	16	16	14	12	12
5 - 8 A	16	16	14	12	10	
8 - 12 A	14	14	12	10		
12 - 15 A	12	12	10	10	No se recomienda	
15 - 20 A	10	10	10			

## Tubería

Los tubos de plástico o PVC no están diseñados para ser usados con el compresor de aire. Independientemente de su clasificación de presión indicada, los tubos de plástico pueden reventarse por la presión de aire. Use sólo tubos de metal para las líneas de distribución de aire. Cuando sea necesaria una línea de tubería, utilice tubos del

Presión máxima de la toma; 130 PSIG (0,9 MPa)

## INSTALACIÓN Y PROCEDIMIENTOS DE ACTIVACIÓN

### UBICACIÓN DEL COMPRESOR DE AIRE

Sitúe el compresor de aire en un lugar limpio, seco y bien ventilado. El filtro del aire debe mantenerse sin obstrucciones que podrían reducir el suministro de aire del compresor de aire. El compresor de aire deberá situarse al menos 30 centímetros (12 pulgadas) de la pared o de cualquier otra obstrucción que interfiera con el flujo de aire. La cabeza y cubierta del compresor de aire están diseñadas para permitir un enfriamiento adecuado. Si la humedad es elevada, se puede instalar un filtro de aire sobre el adaptador de la toma de aire para eliminar el exceso de humedad. Siga las instrucciones incluidas con el filtro de aire para una instalación correcta. Sitúe el compresor de aire sobre una superficie plana, de modo que quede seguro sobre sus patas de hule.

## LUBRICACIÓN

Este compresor de aire está equipado con una bomba sin aceite diseñada para su durabilidad y que no requiere mantenimiento.

## Extensión eléctricas

Para evitar una baja en el voltaje, pérdida de suministro eléctrico y sobrecalentamiento del motor, utilice una manguera de aire adicional en lugar de usar una extensión eléctrica. Un bajo voltaje puede causar daños al motor.

Cuando sea necesario el uso de una extensión eléctrica:

- Use sólo cables de extensión trifásicas (de tres clavijas) las cuales incluyen clavija de aterrizado y enchúfelas en tomas trifásicas correspondientes admisibles para el equipo.
- Asegúrese de que el cable de extensión esté en buenas condiciones.

mismo tamaño y no mayores que la toma de aire en el tanque. La tubería que sea demasiado pequeña restringirá el flujo de aire. Si la longitud de la tubería es mayor a cien pies (30 metros y medio), use el tamaño inmediato superior. Entierre las líneas subterráneas por debajo del nivel respectivo para evitar congelamiento y evite lugares donde la condensación puede acumularse y congelarse. Aplique presión antes de cubrir las líneas

subterráneas para asegurarse que todas las coyunturas de los tubos no tienen fugas.

## Instrucción de aterrizado

**ADVERTENCIA:** ¡riesgo de descarga eléctrica! En el evento de un corto circuito, la conexión a tierra reduce el riesgo de una descarga al ofrecer un cable de escape para la corriente eléctrica. Este compresor de aire debe aterrizar correctamente.

El compresor de aire está equipado con un cable eléctrico y enchufe aterrizados. El enchufe debe usarse en una toma que haya sido instalada y aterrizada en cumplimiento con todas las reglamentaciones locales. La toma debe contar con la misma configuración que el enchufe. **NO USE UN ADAPTADOR.**

Inspeccione el enchufe y el cable antes de cada uso. No use el equipo si observa algún daño.

### **PELIGRO:**

Un aterrizado incorrecto puede resultar en descarga eléctrica. No haga alternaciones en el enchufe proporcionado. Si no encaja con la toma disponible, se deberá instalar una toma adecuada por un electricista calificado.

## PROCEDIMIENTOS DE OPERACIÓN

### Lisa de comprobación diaria antes del encendido

### INSTALACIÓN DE MANGUERAS

#### **⚠️ ADVERTENCIA**

**Riesgo de operación insegura. Sujete con la manguera con firmeza al conectar o desconectar para prevenir que ésta se flagele violentamente. Perder el control de la manguera puede generar lesiones personales y daño a la propiedad.**

1. Antes de conectar la manguera de aire o los accesorios, asegúrese que la palanca del interruptor de la presión está en la posición de apagado ("OFF") y que la válvula de cierre del regulador de aire está cerrada.
2. Coloque la manguera y los accesorios. Una presión excesiva de aire implica un peligroso riesgo de explotación. Compruebe la clasificación de presión máxima del fabricante para las herramientas y accesorios para equipos de aire. La presión de la toma del regulador nunca deberá exceder la clasificación de presión máxima.
3. Ponga la palanca del interruptor de la presión a la posición de encendido ("ON/AUTO") y permita que se acumule presión en el tanque. El motor se detendrá cuando la presión en el tanque alcance la presión de "desactivación".
4. Abra el regulador al girarlo en dirección de las agujas del reloj. Establezca el regulador al ajuste adecuado de la presión. Su compresor está listo para ser usado.
5. Siempre opere el compresor de aire en lugares bien ventilados donde no haya gasolina ni otros gases solventes. No sitúe el compresor cerca del área que está siendo rociada.

### Al terminar:

## DESCONEXIÓN DE MANGUERAS

#### **⚠️ ADVERTENCIA**

**Riesgo de operación insegura. Sujete con la manguera con firmeza al conectar o desconectar para prevenir que ésta se flagele violentamente. Perder el control de la manguera puede generar lesiones personales y daño a la propiedad.**

6. Ajuste la palanca del interruptor de la presión a la posición de apagado ("OFF").
7. Mediante el accesorio o herramienta para equipos de aire drene la presión del tanque hasta cero.
8. Quite el accesorio o herramienta para el equipo de aire.
9. Drene el agua del tanque de aire al abrir la llave de válvula de drenado sobre la parte inferior del tanque. **HABRÁ CONDENSACIÓN DE AGUA EN EL TANQUE DE AIRE. SI NO SE DRENA, EL AGUA CORROERÁ Y DEBILITARÁ EL TANQUE DE AIRE PROVOCANDO UN RIESGO DE RUPTURA DEL TANQUE.**

#### **Nota:**

Si la válvula de drenado está enchufada, libere toda la presión de aire.

10. Tras haber drenado el agua, cierre la válvula de drenado. El compresor de aire podrá ahora almacenarse.

#### **⚠️ ADVERTENCIA**

**Drene el tanque de aire en forma correcta. Un drenado incorrecto del tanque de aire puede generar como resultado corrosión y una posible explosión del tanque. La explosión del tanque puede generar lesiones personales y daño a la propiedad.**

# MANTENIMIENTO

## **⚠️ ADVERTENCIA:**

**Nunca use el compresor de aire si presenta fallas en su funcionamiento.**

**Si parece haber anomalías con el compresor, o si se escucha algún ruido extraño o si se observa vibración, detenga la operación de inmediato y coordine un servicio de reparación en un centro autorizado de Makita.**

## **⚠️ ADVERTENCIA:**

**Use sólo piezas de repuesto originales de Makita. Las piezas de repuesto que no son fabricadas por Makita anularán su garantía y puede que ocasionen una operación defectuosa que resulte en lesiones. Las piezas originales de Makita están disponibles en distribuidores autorizados.**

## **⚠️ ADVERTENCIA:**

**EL EQUIPO REALIZA UN CICLO AUTOMÁTICO CUANDO ESTÁ ENCENDIDO. AL HACER SERVICIO DE MANTENIMIENTO, PUEDE QUE SE EXPONGA A FUENTES DE VOLTAJE, AIRE COMPRIMIDO O PIEZAS MÓVILES. PUDEN OCURRIR LESIONES A LA PERSONA. ANTES DE REALIZAR CUALQUIE SERVICIO DE MANTENIMIENTO O REPARACIÓN, DESCONECTE EL COMPRESOR Y DRENE TODA LA PRESIÓN DE AIRE.**

Para asegurar una operación eficiente y una vida útil mayor del equipo, deberá planear y seguir un programa de mantenimiento de rutina. El siguiente programa de mantenimiento de rutina está diseñado para un equipo bajo un entorno de operación normal bajo un uso diario. De ser necesario, el programa deberá modificarse para que se adapte a las condiciones bajo las cuales su compresor es utilizado. Las modificaciones dependerá de las horas de operación y el entorno de trabajo. Los equipos de compresión en entornos excesivamente sucios u hostiles requerirán de servicios de mantenimiento más frecuentes.

## **PROGRAMA DE SERVICIO DE MANTENIMIENTO DE RUTINA**

1. Drene el agua del tanque de aire, así como de los separadores de humedad o los transformadores.
2. Compruebe si hay cualquier ruido y/o vibración inusual.
3. Revise manualmente todas las válvulas de seguridad para asegurarse que funcionan correctamente.

**⚠️ ADVERTENCIA: Riesgo de explosión. Revise la válvula de seguridad. Si la válvula de seguridad no funciona correctamente en la presurización del tanque de aire, esto puede generar como resultado la ruptura o explosión del mismo, provocando lesiones personales y daño a la propiedad..**

4. Revise el filtro de aire y reemplácelo de ser necesario.
5. Revise los vías de aire y las uniones para ver si hay fugas, y repárelas de ser necesario.

Por cada año de operación o si se sospecha un problema:

- Revise la condición de la bomba de consumo y las válvulas de escape del compresor de aire.
  - Revise la condición de la válvula de escape y reemplácela si está dañada o gastada.
6. Asegúrese de que todos los tornillos, pernos y cubiertas estén bien apretados. Revise sus condiciones de forma periódica.

## **⚠️ ADVERTENCIA**

**Asegúrese de que todos los tornillos, pernos y cubiertas estén correctamente apretados. Si las placas o cubiertas de los tornillos se aflojan, pueden ocurrir lesiones personales o daño a la propiedad.**

## **GARANTÍA LIMITADA MAKITA DE UN AÑO**

EN0006-1

### **Política de garantía**

Cada herramienta Makita es inspeccionada y probada exhaustivamente antes de salir de fábrica. Se garantiza que va a estar libre de defectos de mano de obra y materiales por el periodo de UN AÑO a partir de la fecha de adquisición original.

Si durante este periodo de un año se desarrollase algún problema, retorne la herramienta COMPLETA, porte pagado con antelación, a una de las fábricas o centros de servicio autorizados Makita. Si la inspección muestra que el problema ha sido causado por mano de obra o material defectuoso, Makita la reparará (o a nuestra opción, reemplazará) sin cobrar.

Esta garantía no será aplicable cuando:

- se hayan hecho o intentado hacer reparaciones por otros;
- se requieran reparaciones debido al desgaste normal;
- la herramienta haya sido abusada, mal usada o mantenimiento indebidamente;
- se hayan hecho alteraciones a la herramienta.

**EN NINGÚN CASO MAKITA SE HARÁ RESPONSABLE DE NINGÚN DAÑO INDIRECTO, FORTUITO O CONSECUENCIAL DERIVADO DE LA VENTA O USO DEL PRODUCTO. ESTA RENUNCIA SERÁ APLICABLE TANTO DURANTE COMO DESPUÉS DEL TÉRMINO DE ESTA GARANTÍA.**

**MAKITA RENUNCIA LA RESPONSABILIDAD POR CUALQUIER GARANTÍA IMPLÍCITA, INCLUYENDO GARANTÍAS IMPLÍCITAS DE "COMERCIALIDAD" E "IDONEIDAD PARA UN FIN ESPECÍFICO", DESPUÉS DEL TÉRMINO DE UN AÑO DE ESTA GARANTÍA.** Esta garantía le concede a usted derechos legales específicos, y usted podrá tener también otros derechos que varían de un estado a otro. Algunos estados no permiten la exclusión o limitación de daños fortuitos o consecuenciales, por lo que es posible que la antedicha limitación o exclusión no le sea de aplicación a usted. Algunos estados no permiten limitación sobre la duración de una garantía implícita, por lo que es posible que la antedicha limitación no le sea de aplicación a usted.





<USA only>

# WARNING

Some dust created by power sanding, sawing, grinding, drilling, and other construction activities contains chemicals known to the State of California to cause cancer, birth defects or other reproductive harm. Some examples of these chemicals are:

- lead from lead-based paints,
- crystalline silica from bricks and cement and other masonry products, and
- arsenic and chromium from chemically-treated lumber.

Your risk from these exposures varies, depending on how often you do this type of work. To reduce your exposure to these chemicals: work in a well ventilated area, and work with approved safety equipment, such as those dust masks that are specially designed to filter out microscopic particles.

<USA solamente>

# ADVERTENCIA

Algunos tipos de polvo creados por el lijado, serrado, amolado, taladrado, y otras actividades de la construcción contienen sustancias químicas reconocidas por el Estado de California como causantes de cáncer, defectos de nacimiento y otros peligros de reproducción. Algunos ejemplos de estos productos químicos son:

- plomo de pinturas a base de plomo,
- sílice cristalino de ladrillos y cemento y otros productos de albanilería, y
- arsénico y cromo de maderas tratadas químicamente.

El riesgo al que se expone variará, dependiendo de la frecuencia con la que realice este tipo de trabajo. Para reducir la exposición a estos productos químicos: trabaje en un área bien ventilada, y pongase el equipo de seguridad indicado, tal como esas mascarillas contra el polvo que están especialmente diseñadas para filtrar partículas microscópicas.

Makita Corporation  
3-11-8, Sumiyoshi-cho,  
Anjo, Aichi 446-8502 Japan